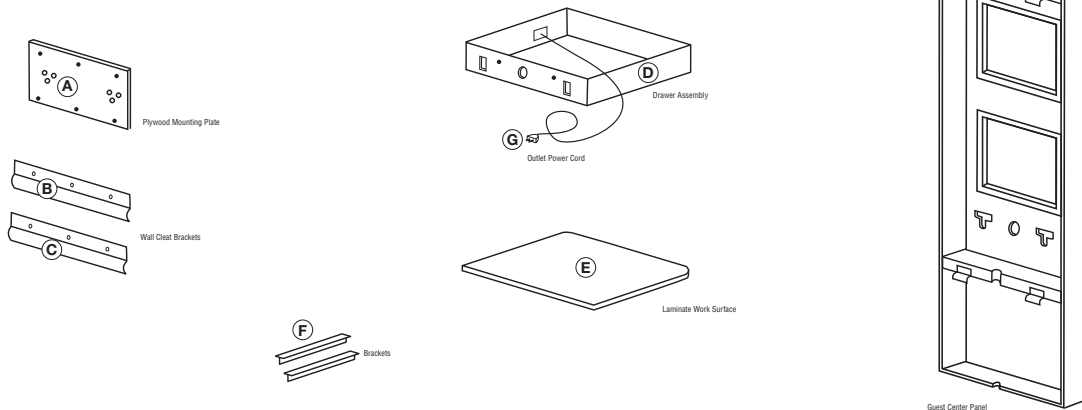


Guest Center Installation Guide

Parts You Should Have Received



Installation

- 1) Install brackets (F) to pre-drilled plywood mounting plate (A) with supplied hardware.
- 2) Route outlet power cord (G) through drawer assembly (D), then through grommet of Guest Center panel and finally down the back of the panel through the routed notches.
- 3) For standard height application (31" work surface) locate and install mounting plate assembly (A & F) to wall $34\frac{1}{8}$ " from finished floor to top of mounting plate with supplied hardware.
- 4) Locate and install top edge of wall cleat bracket (B) $10\frac{3}{8}$ " down from top of mounting plate to wall.
- 5) Locate and install top edge of wall cleat bracket (C) $34\frac{7}{8}$ " up from top of mounting plate to wall.
- 6) Mount Guest Center panel onto wall cleats (B & C).
- 7) Slide drawer assembly (D) on to support brackets (F) and screw through drawer assembly back panel into front of Guest Center Panel with supplied hardware.
- 8) With drawer assembly (D) securely attached, locate laminate work surface (E) center left to right on top of drawer assembly and butt work surface back edge to Guest Center panel. Install with supplied VHB tape on bottom side of surface.

